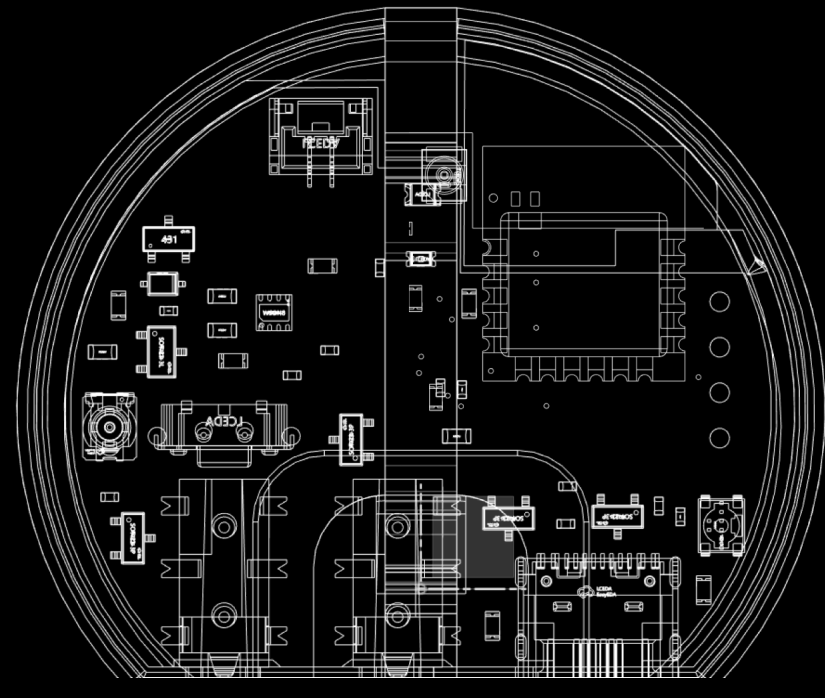
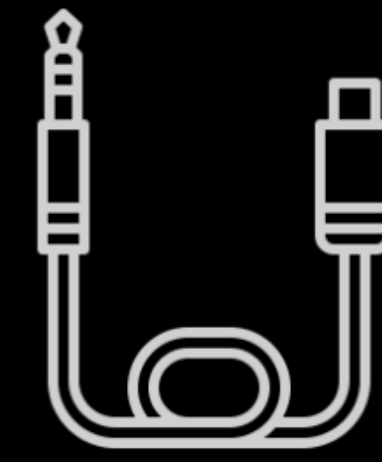


## What's in the box



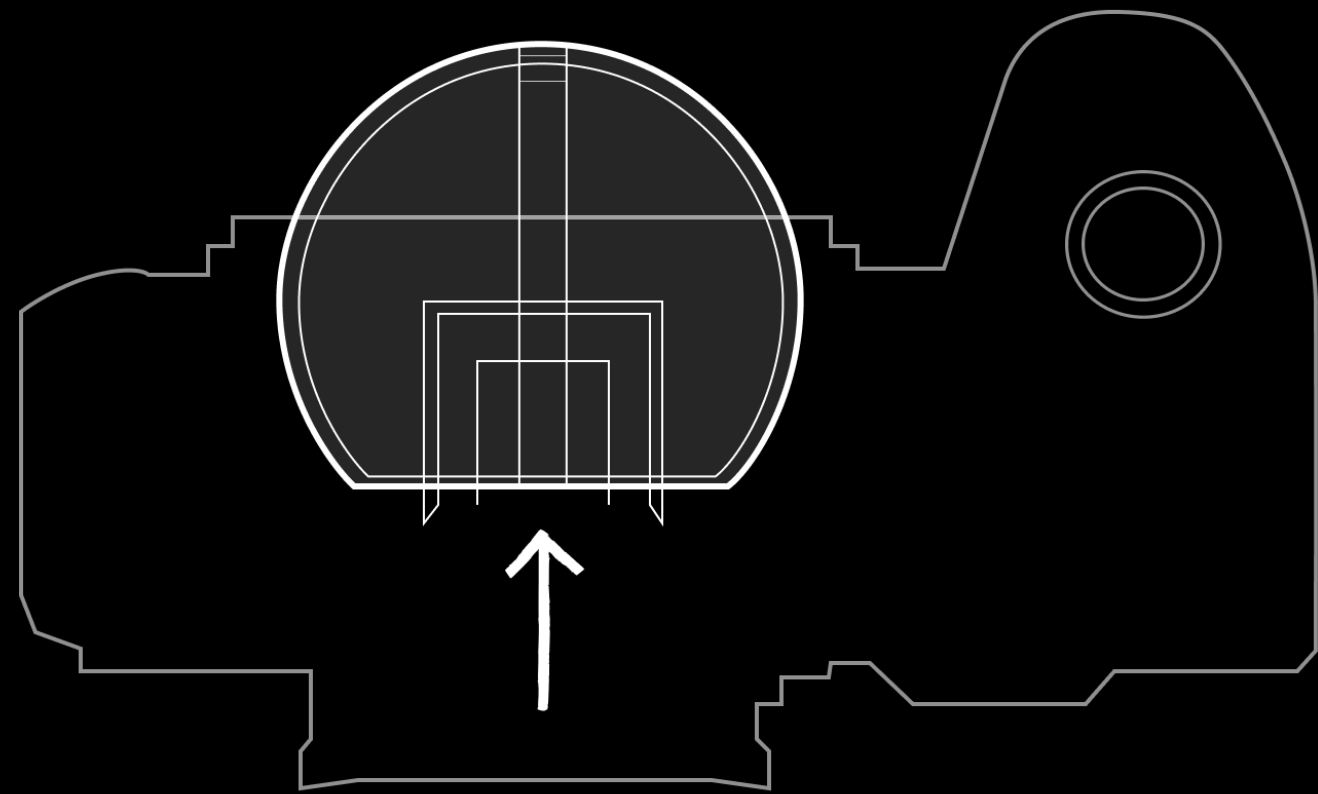
SmartTimer



Shutter release cable

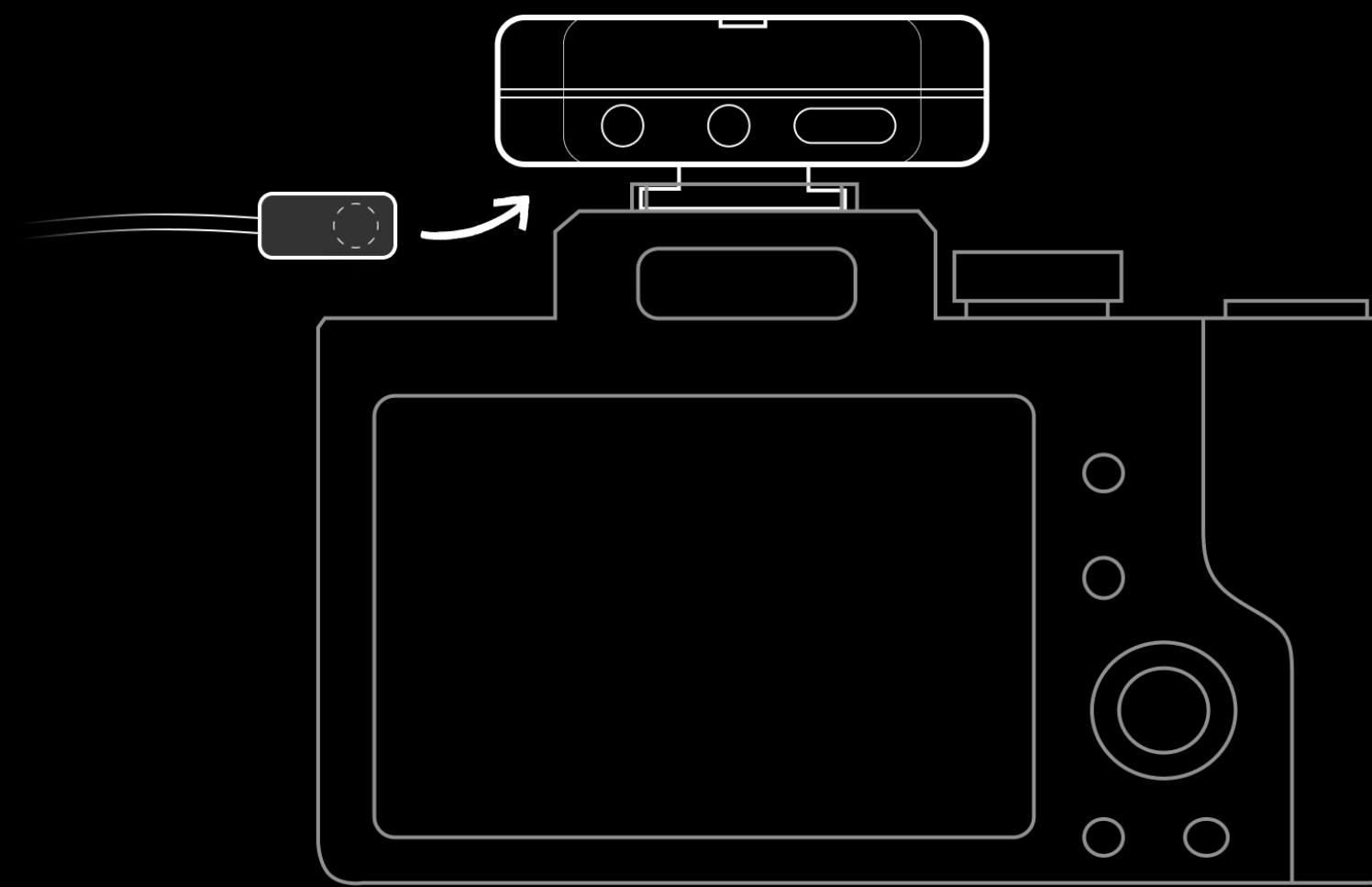
## Connect Your SmartTimer

1



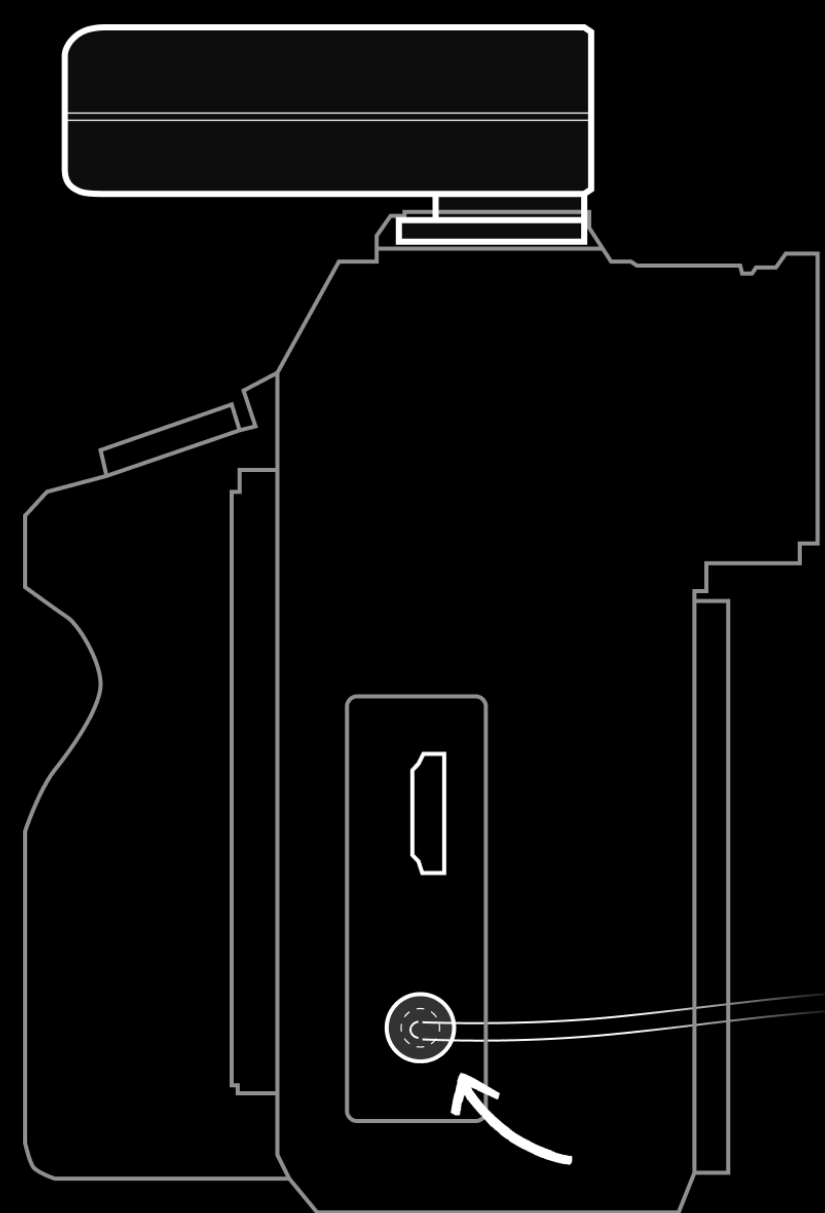
Slide your SmartTimer into the Cold Shoe.

2



Plug the angled side of the cable into your SmartTimer.

3

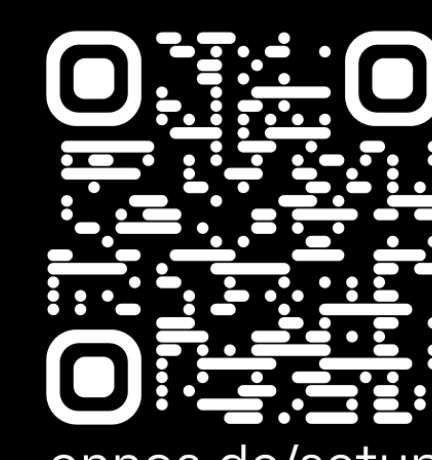


Connect the other side of the cable to the remote release port of your camera.

4



APP, FORUM & INSTRUCTIONS



onnoa.de/setup

Download the app and follow the further instructions there.

### Functions overview

- 1 **Remote Tiggering**  
Trigger your camera from up to 15m away.
- 2 **Bulb Mode**  
Take super long exposures and bypass the 30s limit of your camera.
- 3 **Linear Timelapse**  
Take individual pictures at a certain interval, which you then combine into a video.
- 4 **Ramped Timelapse**  
Change the interval and slow down or speed up your Timelapse.
- 5 **Create Presets**  
Prepare for the shoot before you arrive at the location and save the settings you have made.

### First Setup

- 1 **Fully charge your SmartTimer using the USB cable**  
Your SmartTimer is always available when you open the app. When it is not in use, it goes into deep sleep and consumes almost no battery.
- 2 **Set up your first timelapse**
  - A Chose your settings in the app.
  - B Set exposure settings on your camera.
  - C Start the timelapse.

For tutorials & a PDF guide scan the QR code on the quick-start guide or visit [onnoa.de/setup](http://onnoa.de/setup).

## DISPOSAL OF THE PRODUCT & WARNINGS

Should the product become damaged beyond repair, or if you wish to dispose of it, it must be disposed separately from the municipal waste stream via designated collection facilities appointed by the government or the local authorities. Observe the regulations of your area and country that relate to the disposal of electronic products.

- Keep your SmartTimer away from all sorts of liquids.
- In order to preserve your SmartTimer Unit and battery performance at their best, charge it before use and use it mainly between 20 and 80% of its capacity.
- Do not attempt to disassemble or modify any internal parts of your SmartTimer. If the device appears to be malfunctioning, discontinue use immediately and contact support for qualified service.
- Never force a different type of connector into a port.
- Never use or store your SmartTimer in areas subject to extreme temperatures, humidity or high levels of vibration.
- Environmental factors may affect your SmartTimer's performance. Keep your product away from environmental hazards such as dust or heavy resonance. Do not use chemical materials to clean your product.
- If there is an impairment on the power or connector cable, stop using the Motion Control Unit immediately.
- Avoid dropping or causing physical damage to your SmartTimer.
- Do not place heavy objects on top of your SmartTimer.
- ONNOA cannot be held responsible for damage caused by improper use or modification of the product.
- Rated Voltage: 3.6-4.2V (LiPo Battery / USB Power) Rated Current: 0.1A  
Operating Temperature: -20°C to +45°C

